



NATIONAL
BUS SALES



INTRODUCING THE NEW
PROMASTER[®]
COMMERCIAL UTILITY VEHICLE

**DESIGNED
TO FIT YOUR
BUSINESS**



SPRING ASSISTED
2,000 LB RAMP

YOUR WORK. YOUR BUSINESS. CHOOSE YOUR EQUIPMENT.



PRoMASTER

COMMERCIAL UTILITY VEHICLE

MAXIMUM UTILITY. **MAXIMUM VERSATILITY.**

The Ram ProMaster® UP-FIT is the *ONLY VAN* on the market that gets the job done with optional crew cab seating, a spring assisted 2,000 lb rear ramp and front wheel drive. Built to accommodate all the tools of your trade and the ability to fit a crew up to five at the same time, this van is a powerful tool that helps your business grow.



CREW CAB



CONTRACTORS



ELECTRICIANS,
PLUMBERS AND HVAC

DESIGNED TO FIT YOUR BUSINESS. YOUR NEEDS.

The crew cab up-fit option is available on the 2500 and the 3500 chassis. Need more room for equipment and less crew? Go with the cargo option.

CHOOSE YOUR OPTIONS AT



LAWNCARE AND
LANDSCAPING

SPECIFICATIONS

- Award-Winning 3.6L Pentastar® V6 Gas Engine 280 HP
- Class Exclusive Front-Wheel-Drive-System
- 5,100 lb Towing
- 4,430 lb Max Payload
- 460 cubic ft Cargo Capacity
- Nearly 90° Vertical Walls
- Up to 60" Rear Opening
- Up to 49" Side Opening
- 260° Swing-Open Rear Doors
- 24 Gallon Fuel Tank
- 17 City mpg / 25 Highway mpg
- Stand Up Headroom

BEST-IN-CLASS

- 280 HP & 260 lb/ft Torque
- Turning Diameter
- Lowest Load Floor Height: 21"
- Standard Cargo Height: 65"
- Width Between Wheel Wells: 56"

WARRANTIES

- 3 Year/36,000 Mile Basic Warranty
- 5 Year/60,000 Mile Gas Powertrain Warranty
- 3 Year/36,000 Mile Conversion Warranty

OPTIONAL EQUIPMENT FOR CARGO & CREW CAB CUV'S

- 2,000 lb Capacity Walk-In Rear Ramp Replaces Rear Doors
- Custom Flooring Options
- Crew Cab Upfit – 3 Additional
- Aluminum Running Boards
- Backup Alarm
- Custom Mounting Brackets
- Bulkhead Wall
- Galvanized or Stainless Steel Interior Side Panels
- E-Tracks for Wall Strapping & Storage
- Interior LED Swivel Light Bar
- Power Inverter – 5,000 Watts
- Power Sliding Door
- Folding Rear Steps
- Roof Vent for Additional Ventilation in Cargo Area
- Custom Racking & Shelving
- Tow Package – 5,100 lb Capacity Hitch w/ 4 Pin Wiring Harness

TWO MODELS. YOUR CHOICE.

STANDARD FEATURES

- Advanced Front Airbags with Supplemental Seat-Mounted and Side-Curtain Airbags
- All Speed Traction Control
- AM/FM/MP3 Radio with Media Input Hub and 12V Power Outlet
- Anti-Lock 4-Wheel Disc Heavy Duty Breaks
- Brake Assist with Hill Start Assist
- Electronic Stability Control
- Electronic Roll Mitigation and Trailer Sway Dampening
- Front Wheel Drive
- Manual Fold-Away Mirrors
- Power Locks and Windows with Front One-Touch Down Feature
- Rear Hinged Doors with Glass
- Remote Keyless Entry

PREMIUM PACKAGE

Includes Standard Features, Plus

- Cruise Control
- Daytime Running Lights
- Front License Plate Bracket
- Parkview Backup Camera
- Power Folding, Heated Mirrors
- U-Connect Radio with 5" Touchscreen

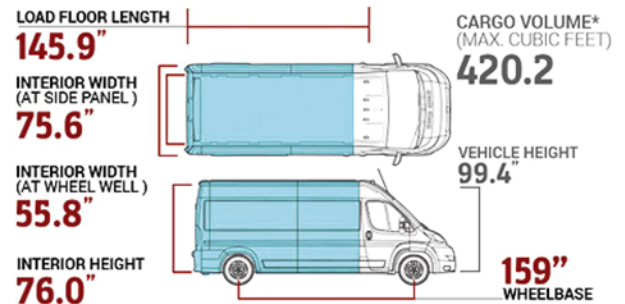
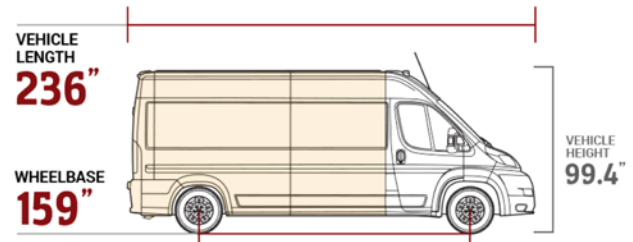
PREMIUM PLUS+ PACKAGE

Includes Standard Features & Premium Package, Plus

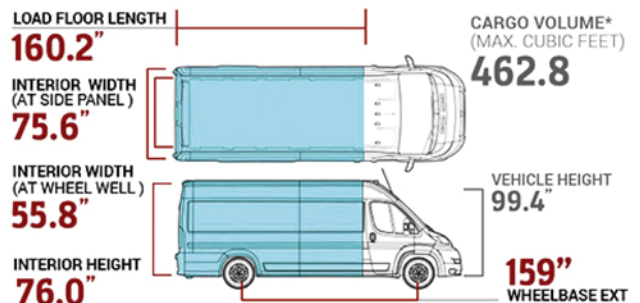
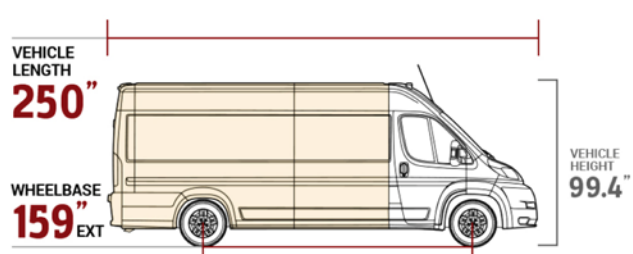
- Interior Convenience Package: Cargo Net, Locking Glove Box, Overhead Storage Shelf, Under-Seat Storage Tray, Driver A-Pillar, Document Holder
- Premium Appearance Package: Fog Lamps and Chrome Grille
- Driver/Passenger 6-Way Adjustable Seats with Lumbar Adjustment
- 16" Aluminum Wheels
- Auxiliary Power Connector

© All product names and brands are property of their respective owners and are used for identification purposes only.

2500 CHASSIS



3500 CHASSIS



CONTACT NATIONAL BUS SALES FOR MORE INFORMATION

800-475-1439 | SALES@NATIONALBUS.COM

WWW.NATIONALBUS.COM